



REMIGO®  
electric outboards

## Remote Control

---

User Manual

## Acknowledgement

Thanks for choosing RemigoOne electric outboard. We will do our best to make boating for you as easy as possible. We are dedicated to providing the ultimate user experience. High-performance technology, durable construction and reliable lithium batteries are just a part of that. Even though we designed your new outboard with its accessories to be as intuitive as possible, we ask you to read this user manual thoroughly to understand the correct and safe operation.

Enjoy your time on water!

You are most welcome to contact us >

<https://remigo.eu/>

[info@remigo.eu](mailto:info@remigo.eu)

+386 41 769 489

## Using This Manual

By using this product, you hereby agree that you have fully read and understood all contents of this manual. Remigo accepts no liability for any damage or injury caused by operations that contradict this manual.

Due to ongoing optimization of our products, Remigo reserves the rights of constantly adjusting the contents described in the manual. Remigo also reserves the intellectual property rights and industrial property rights including copyrights, patents, logos and designs, etc. This manual is subject to update without prior notice, please visit our website [www.remigo.eu](http://www.remigo.eu) for the latest version. If you find any discrepancy between your products and this manual, or should you have any doubts concerning the product or the manual, please visit [www.remigo.eu](http://www.remigo.eu).

Remigo reserves the rights of final interpretation of this manual.

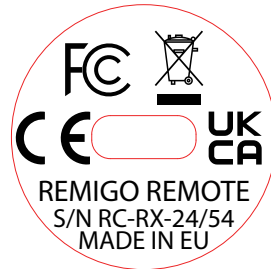
## Product Overview

The Remigo Remote Control was designed to integrate perfectly with the RemigoOne outboard motor, it ensures smooth speed control, whether at the tiller or from a distance. Reliable WiFi-based connection ensures uninterrupted performance, but it's Man Overboard feature ensures the motor stops immediately if the remote disconnects or goes out of range. Motor reactivation is possible using the motor's interface controls.

## Product Identification

You'll find an ID label with serial number on the product. Copy of the label is included in the Warranty papers.

To invoke the warranty and other after-sale services please contact us at [support@remigo.eu](mailto:support@remigo.eu) and make sure to include it in your message.



Remote Control ID label example

## Your Remigo Remote Control Package includes:

- > Remote control unit
- > Handle
- > Handle pin
- > Packet of threadlock glue
- > Black floating wristband
- > User manual

Unpack the package and check if there was any damage caused during the transport.

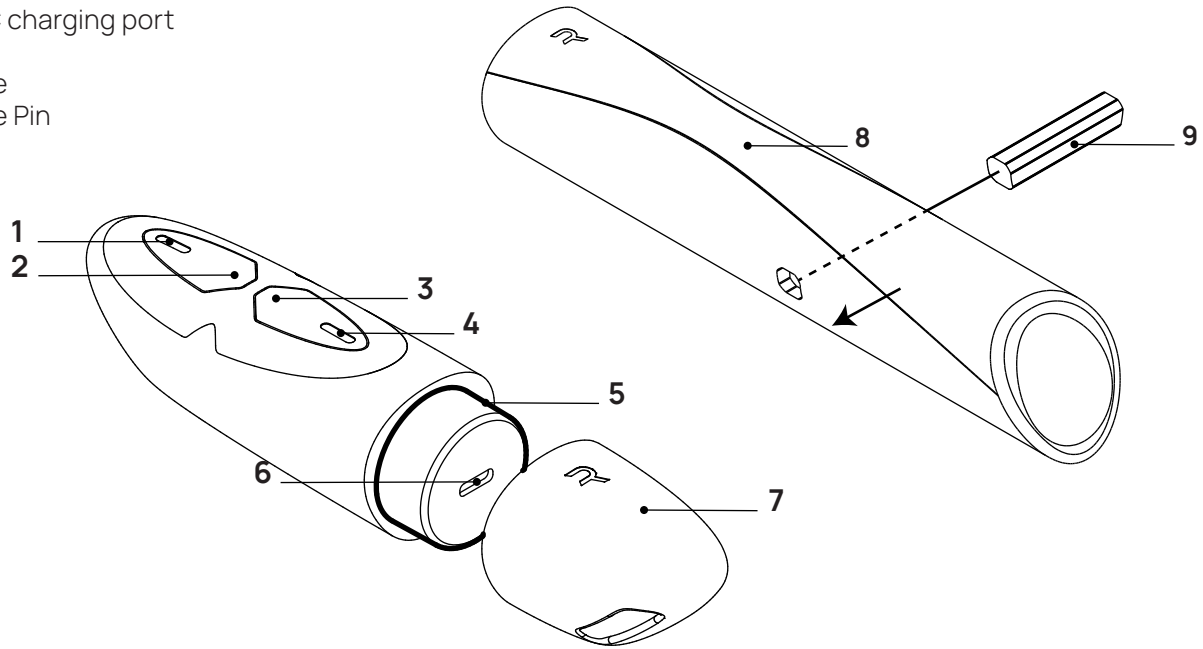
Check all the items inside the package. If there is any transport damage or lack of any item listed above, please contact us or your dealer immediately.

### Quick info:

<b>connectivity type</b>	WiFi
<b>connectivity range</b>	min. 15 m (with MOB Safety Feature)
<b>display type</b>	LED indicators (connection status, state of charge)
<b>battery capacity / type</b>	800 mAh / Li-Ion
<b>battery autonomy</b>	12 h operating time / 30 days stand-by
<b>charging type</b>	USB-C (charger not included)
<b>mounting type</b>	magnetic coupling on tiller handle
<b>compatibility</b>	RemigoOne Jan 2023 -

## Remote Control Parts

1. LED 1: Connection status indicator
2. Forward button > adding speed
3. Reverse button > reducing speed
4. LED 2: Battery status indicator
5. Adapter
6. USB-C charging port
7. Cap
8. Handle
9. Handle Pin



## Turning Remote Control On/Off

### Power On:

Press and hold any button on the remote control for 1 second.

**LED 1** indicates the connection status (1.)

**LED 2** indicates the battery status (2.)

### Power Off:

The remote control will automatically power off after 10 seconds of inactivity when there is no connection with the motor (e.g., killswitch removed, motor out of range, etc.).

## Pairing the Remote Control with the Motor

1. Turn on the motor using the Key / Killswitch. Ensure that the motor you want to pair with is the only powered motor within a 30-meter radius.
2. Confirm the remote control is off (no LEDs are lit or blinking).
3. Press and hold both buttons on the remote control for approximately 5 seconds.
  - When LEDs start flashing purple, release the buttons and wait for the process to complete (the remote will turn off automatically).
4. Turn the remote control back on.
  - If pairing is successful, LED 1 will blink blue.
  - If pairing fails, LED 1 will blink orange.

If pairing fails, repeat the steps above.

To pair the remote with a different motor, repeat the pairing process with the new motor.

## Indicators

### LED 1: Connection Status Indicator

Blinking Blue: Connected to the motor.

Blinking Orange: Not connected to the motor.

### LED 2: Battery Status Indicator

Battery Status:

After turning on the remote control, LED 2 displays the battery charge level (SOC):

**SOC > 40%** → LED 2 lights **green**.

**15% < SOC < 40%** → LED 2 lights **orange**.

**SOC < 15%** → LED 2 lights **red**.

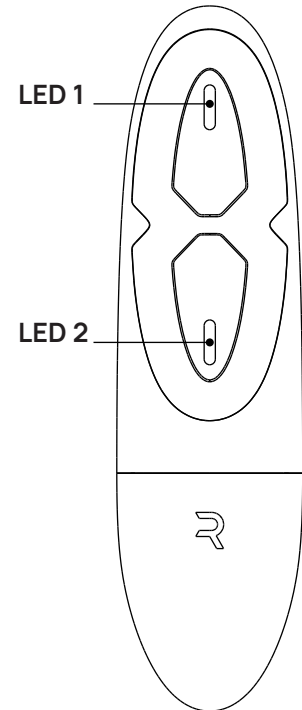
### During Operation:

To save power, LED 2 does not display the battery level unless battery charge level drops under 15%, at which point LED 2 blinks red to indicate low battery.

### While Charging:

LED 2 flashes according to the battery charge level described above.

When fully charged (100% SOC), LED 2 remains solid green.



## Operating the Remote Control

The remote control buttons function identically to the buttons on the outboard:

### Starting the Motor:

Press the button corresponding to the desired direction.

### Adjusting Power:

Press the same button again to increase power (up to 10 levels).

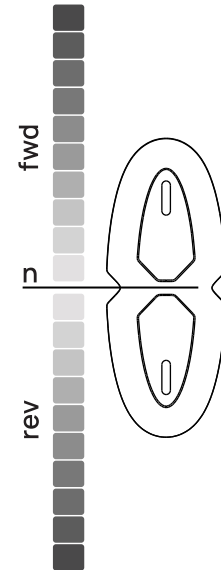
To decrease power, press the opposite button.

Hold the button to quickly adjust power by several levels.

### Stopping the Motor:

Press both buttons simultaneously to stop the motor immediately.

**Note: The motor can be controlled via the outboard interface buttons and the remote control simultaneously.**

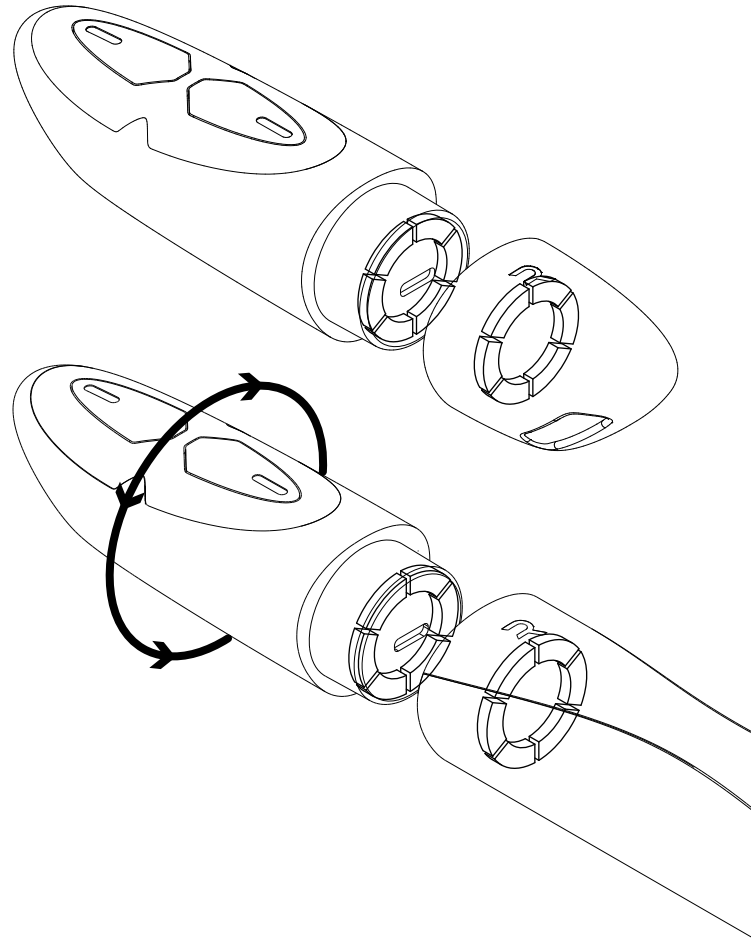




## Mounting

The Remote Control easily attaches and detaches from the Handle or Cap, using a secure magnetic coupling.

While the Remote Control is attached to the handle, you can rotate it to snap into three different positions. This lets you adjust the position of the speed control buttons for maximum comfort, no matter which side of the outboard you're steering from.



## Man Overboard (MOB) Safety Feature

If the Remote Control loses connection (e.g., out of range or dropped into water), the outboard will stop immediately.

If Remote Control loses connection and the motor stops you can activate it again **by pressing either one of two power control buttons on the user interface on top of the outboard.**


## Connectivity type

The remote control connects to the RemigoOne motor via a reliable WiFi protocol.

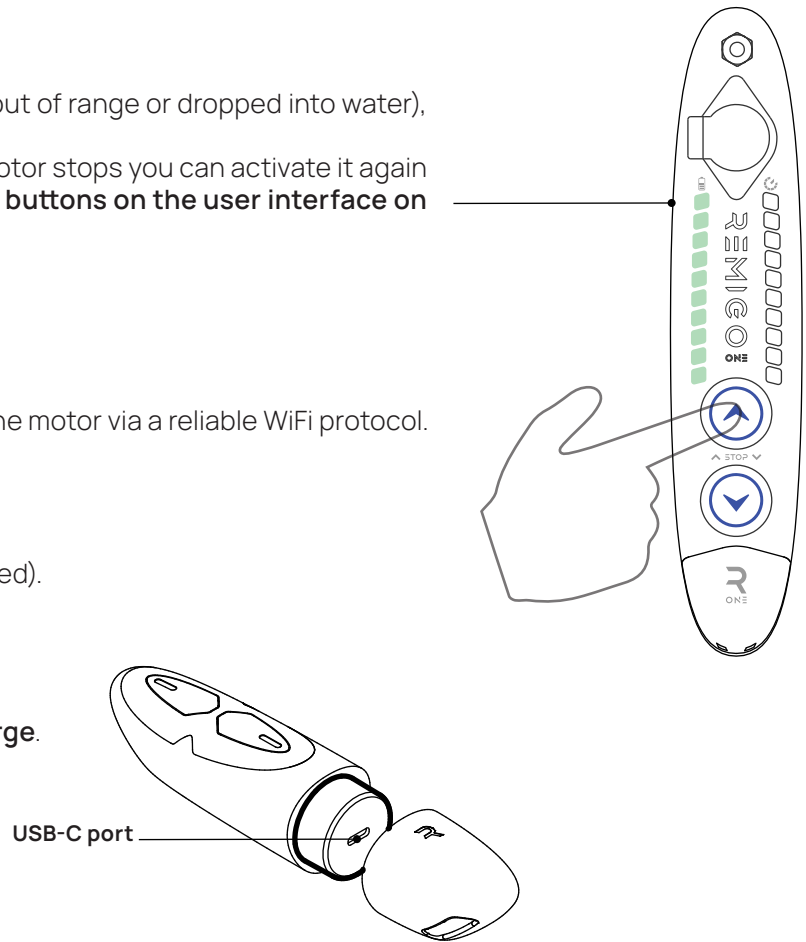
## Charging

Charge via the USB-C port (charger not included).

## Battery Autonomy

 Operates up to **12 hours on a single charge.**

 Standby mode lasts over **30 days.**



## Battery

The Remote Control contains an **integrated rechargeable lithium battery** with a capacity of **800 mAh**. It can be recharged via the USB-C port from a 5V source which needs to be able to provide at least 1A.

While the remote can be used in temperatures as low as  $-10^{\circ}\text{C}$  and up to  $50^{\circ}\text{C}$  the charging should always be done between  $0^{\circ}$  and  $40^{\circ}\text{C}$ .

When not in use, storing the remote at or slightly below room temperature will maximize the lifetime of the integrated battery. Similarly avoiding low state of charge for extended periods of time will increase the lifetime of the cell.

### Charging and Safety Instructions:

The market offers a variety of chargers and charging protocols. Some advanced chargers, such as those designed for Power Delivery (PD) or proprietary standards, may encounter issues charging the remote. To ensure reliable charging, use simple chargers, USB 2.0 ports, or standard USB cables.

### Important note:

The case is designed to withstand normal bumps and hits during regular use. Since the device contains a lithium battery, it is essential to inspect the outer case after any drops, falls, or impacts.

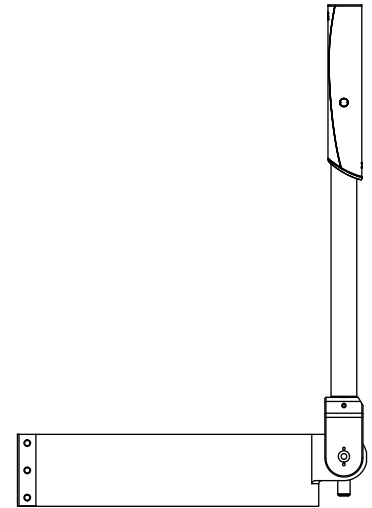
- If the case is significantly damaged or the seal is broken, stop using the remote immediately to prevent water ingress.
- Keep the damaged device away from flammable materials and contact Remigo Support for further assistance.

## Replacing the handle

Make sure to read through the whole instructions before starting the upgrade process. If you follow the instructions carefully the upgrade process will be easy and only take a couple of minutes.

1. Remove the outboard from the transom bracket and put the tiller in the vertical position before starting.
2. Unscrew the set screw from the existing handle on the tiller. To remove it, use a 4mm hex tool, one was provided with the purchase of the RemigoOne.
3. Slide off the black plastic handle from the tiller rod and slide on the new one on the same place - this should be done without any force.
4. Make sure the handle is orientated correctly.
5. Align the holes through the tiller rod with the holes on the new handle. Do not use force to align them as this could dislodge the magnets. If you have trouble aligning the handle hole with the hole in the tiller rod you can slightly reposition the threaded hole in the tiller rod by pressing on the pin which is sticking out from the tiller pivot (this is why you put it in the vertical position before starting the operation). In case you still experience any issues with hole alignment, please contact us via [support@remigo.eu](mailto:support@remigo.eu).
6. Open the packet of threadlock and apply 3-5 drops to the center of the set screw thread. This will ensure the screw does not come loose over time. The original set screw is 35 mm long, the new one included with the Remote Control Handle Upgrade kit that should be mounted with the new handle is 30 mm long.
7. Screw the new set screw in place. Make sure the set screw is centered in the hole.

**Note:** The threadlock will take around 24h to harden but the outboard can be used immediately.



Correct Handle Orientation

Enjoy your clean and silent ride with **RemigoOne**

**REMIGO**®  
electric outboards

You are most welcome to contact us about anything:  
question, experience, concern, idea... :

<https://remigo.eu/>  
[info@remigo.eu](mailto:info@remigo.eu)  
+386 41 769 489

Remigo d. o. o.  
Stanežiče 27e  
1210 Ljubljana - Šentvid  
Slovenia, EU